







EMBED

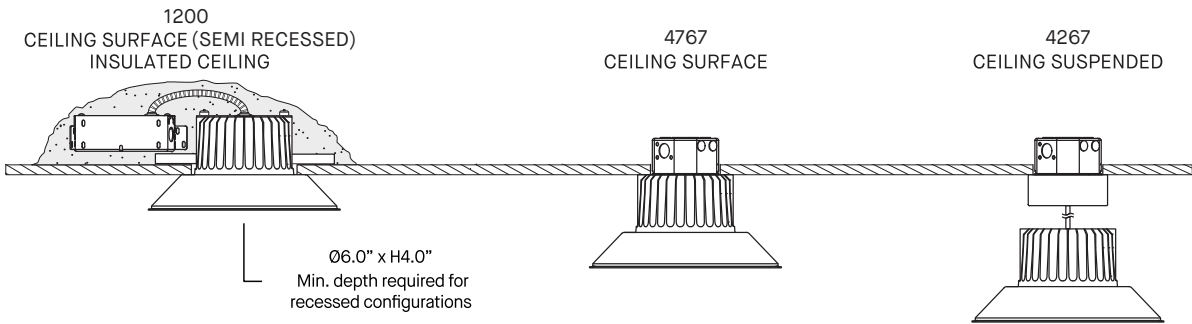
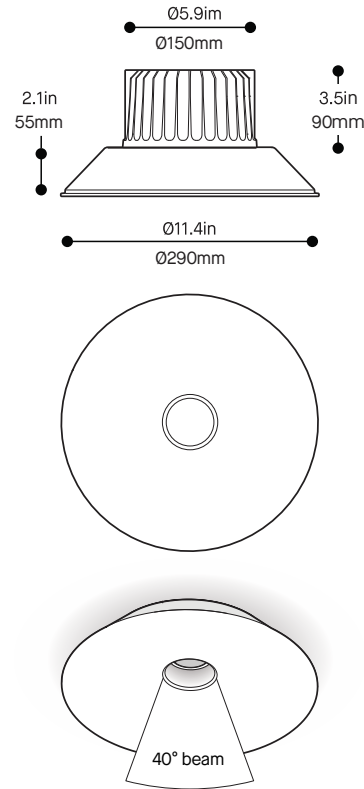
VERSATILE
Fixture is available in many configurations, allowing it to be installed recessed in the ceiling, surface to it, or even suspended.

EFFICIENTLY DESIGNED
Custom designed heatsink to diffuse the heat produced by the two powerful light sources in the most efficient way.

DIFFUSION
The vacuum formed diffuser offers an evenly lit volume as well as a beautifully diffused halo of light.

ELEGANT
The spun aluminum reflector redirects and concentrates the light sources.

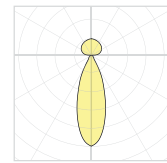
PRECISION
The COB light source offers a functional light precisely consolated by the polycarbonate TIR lens.



PRODUCT SPECIFICATION	1200	4767	4267
PERFORMANCE			
SYSTEM WATTAGE	20 W	20 W	20 W
DELIVERED LUMENS (4000K)	1497 LM	1497 LM	1497 LM
EFFICACY	75 LM/W	75 LM/W	75 LM/W
OTHER INFORMATION			
LUMINAIRE'S WEIGHT	ON REQUEST	ON REQUEST	ON REQUEST

EFFICACY MULTIPLIERS **LIGHT DISTRIBUTION**

CRI	CCT	FACTOR
80+	4000K	1.00
80+	3500K	0.99
80+	3000K	0.97
80+	2700K	0.94
90+	4000K	0.89
90+	3500K	0.86
90+	3000K	0.84
90+	2700K	0.80



1200 / 4767 / 4267



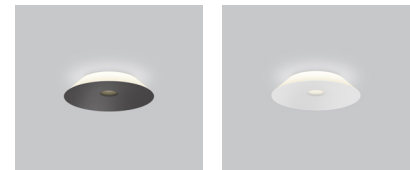
Visit our website for warranty terms and conditions.

EMBED 1200

PROJECT PROJET
SPEC TYPE
NOTES



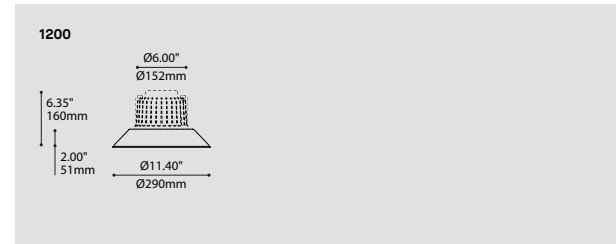
FINISH FINI



ANTE

WHE

FAMILY FAMILLE



ORDERING SPECIFICATION	SPÉCIFICATION DE COMMANDE	CODE
MODEL MODÈLE		
1200	EMBED	
1200-DD*	EMBED (DUAL DIMMING)	
* INNER AND OUTER LIGHT SOURCES ARE DIMMED INDEPENDENTLY		
LIGHT SOURCE SOURCE LUMINEUSE		
LED	REGULAR OUTPUT	LED
COLOR TEMPERATURE TEMPÉRATURE DE COULEUR		
27*	2700K	
30	3000K	
35	3500K	
40	4000K	
* LONGER LEAD TIME MAY APPLY. PLEASE CONTACT YOUR EUREKA REPRESENTATIVE		
COLOR RENDERING INDEX (CRI) INDICE DE RENDU DE COULEUR (IRC)		
80	80+ CRI	
90*	90+ CRI	
* LONGER LEAD TIME MAY APPLY. PLEASE CONTACT YOUR EUREKA REPRESENTATIVE		
VOLTAGE VOLTAGE		
120V	120 VOLT	
277V	277 VOLT	
DIMMING OPTION OPTION DE GRADATION		
DV	0-10V DIMMING (120V-277V)	
DP	PHASE DIMMING (120V ONLY)	
LED DIMMING DRIVER IS STANDARD IN THIS PRODUCT. PLEASE SPECIFY YOUR DIMMING TYPE.		
BEAM ANGLE ANGLE DE FAISCEAU		
40	40° LENS	40
SHADE FINISH FINI ABAT-JOUR		
ANTE	ANTHRACITE FINE TEXTURE	
WHE	WHITE FINE TEXTURE	
DIFFUSER FINISH FINI DIFFUSEUR		
WH	WHITE	WH

PRODUCT CHARACTERISTICS CARACTÉRISTIQUES DU PRODUIT



DESIGN: Embed is a tidy and minimalist package that offers two distinct light sources challenging the typical visual language associated with recessed spotlights. At its core is a powerful spot shielded by a transparent lens. Surrounding the core is a diffuser evenly lit by a secondary light source creating a soft semi-direct light surrounding the fixture.

INSTALLATION: Recessed mounting system allows for simple and secure installation in a variety of ceiling types from 0.375" (9.5mm) to 2.75" (70mm) thick, accommodating renovation projects.

LIGHT SOURCE: Powerful LED projector with a 20° or 40° projection angle, and a circular LED module that projects a soft and cozy indirect light, which surrounds the fixture. Offered with phase or 0-10V gradation options.

STRUCTURE: Custom aluminum heatsink with precisely designed configurations and dimensions. It supports the spun aluminum reflector and a vacuumed formed acrylic diffuser.

CERTIFIED: c-CSA-us

CONCEPTION: Embed est un luminaire simple et élégant combinant deux sources lumineuses distinctes défiant ainsi le langage visuel normalement associé aux projecteurs encastrés. En son centre se trouve un puissant projecteur abrité par une lentille transparente. Autour de ce centre se trouve un diffuseur éclairé par une deuxième source lumineuse créant un doux éclairage semi-direct autour du luminaire.

INSTALLATION: Le système de fixation avec vis sans fin permet une installation simple et solide dans une variété de types de plafonds allant de 0.375" (9.5mm) à 2.75" (70mm) d'épaisseur, accommodant les projets de rénovation.

SOURCE LUMINEUSE: Un puissant projecteur centre DEL offert avec un angle de projection de 20° ou 40°, ainsi qu'un module DEL circulaire redirigé par un réflecteur qui vient créer un halo tamisé semi-indirect. Gradation de type phase ou 0-10V offerte.

STRUCTURE: Radiateur encastré conçu sur mesure avec une configuration et des dimensions précisément étudiées. Fait d'aluminium moulé, il supporte un réflecteur en aluminium tourné avec un diffuseur d'acrylique thermoformé.

CERTIFIÉ: c-CSA-us, c-UL-us

EMBED 4267

PROJECT PROJET
SPEC TYPE
NOTES



FINISH FINI



ANTE

WHE

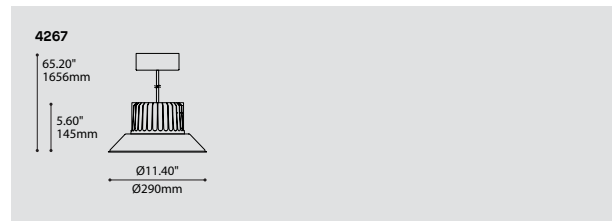
FAMILY FAMILLE



1200

4767

4268-15



ORDERING SPECIFICATION	SPÉCIFICATION DE COMMANDE	CODE
MODEL MODÈLE		
4267	EMBED	
4267-DD*	EMBED (DUAL DIMMING) * INNER AND OUTER LIGHT SOURCES ARE DIMMED INDEPENDENTLY	
LIGHT SOURCE SOURCE LUMINEUSE		LED
LED	REGULAR OUTPUT	
COLOR TEMPERATURE TEMPÉRATURE DE COULEUR		
27*	2700K	
30	3000K	
35	3500K	
40	4000K	
	* LONGER LEAD TIME MAY APPLY, PLEASE CONTACT YOUR EUREKA REPRESENTATIVE	
COLOR RENDERING INDEX (CRI) INDICE DE RENDU DE COULEUR (IRC)		
80	80+ CRI	
90*	90+ CRI	
	* LONGER LEAD TIME MAY APPLY, PLEASE CONTACT YOUR EUREKA REPRESENTATIVE	
VOLTAGE VOLTAGE		
120V	120 VOLT	
277V	277 VOLT	
CONTROL OPTION OPTION DE CONTRÔLE		
DV	0-10V DIMMING (120V-277V)	
DP	PHASE DIMMING (120V ONLY) LED DIMMING DRIVER IS STANDARD IN THIS PRODUCT, PLEASE SPECIFY YOUR DIMMING TYPE.	
EMERGENCY BATTERY BATTERIE D'URGENCE		
	FOR 120-277V, EM DRIVER BOX INCLUDED, INSTALLED REMOTELY. SEE EM GUIDE FOR DETAILS.	
EMB*	EMERGENCY BATTERY FOR REMOTE BOX * 3981EA ACCESSORY IS REQUIRED	
BEAM ANGLE ANGLE DE FAISCEAU		40
40	40° LENS	
CABLE CABLE		C
C	BLACK CABLE, FIELD ADJUSTABLE	
CABLE LENGTH LONGUEUR DE CABLE		
60	60" CABLE (STD LENGTH)	
**	CUSTOM CABLE LENGTH (PLEASE SPECIFY) FOR OVERALL LENGTH, PLEASE CONTACT YOUR EUREKA REPRESENTATIVE.	
CANOPY FINISH FINI PAVILLON		
BLKE	BLACK FINE TEXTURE	
WHE	WHITE FINE TEXTURE	
SHADE FINISH FINI ABAT-JOUR⁽¹⁾		
ANTE	ANTHRACITE FINE TEXTURE	
WHE	WHITE FINE TEXTURE ⁽²⁾ HEATSINK IS ALWAYS BLACK	
DIFFUSER FINISH FINI DIFFUSEUR		WH
WH	WHITE	
EMERGENCY BATTERY ACCESSORY ACCESSOIRE BATTERIE D'URGENCE		
3981EA	ELECTRICAL BOX FOR EMB EMERGENCY BATTERY	

PRODUCT CHARACTERISTICS CARACTÉRISTIQUES DU PRODUIT

BIM DIM IES LED

DESIGN: Embed is a tidy and minimalist package that offers two distinct light sources challenging the typical visual language associated with recessed spotlights. At its core is a powerful spot shielded by a transparent lens. Surrounding the core is a diffuser evenly lit by a secondary light source creating a soft semi-direct light surrounding the fixture.

INSTALLATION: Easy to install and adjust single power cable mounting.

LIGHT SOURCE: Powerful LED projector with a 20° or 40° projection angle, and a circular LED module that projects a soft and cozy indirect light, diffused between the shades. Offered with phase or 0-10V gradation options.

STRUCTURE: Custom aluminum heatsink with precisely designed configurations and dimensions. It supports the spun aluminum reflector and a vacuumed formed acrylic diffuser.

CERTIFIED: c-CSA-us, c-UL-us

EMBED 4767

PROJECT PROJET
SPEC TYPE
NOTES



FINISH FINI



ANTE

WHE

FAMILY FAMILLE



1200

4267

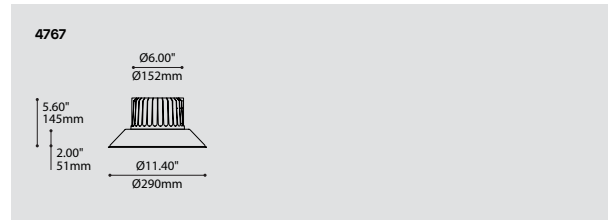
1208-10



4268-15

4769-10

4269-15



ORDERING SPECIFICATION	SPÉCIFICATION DE COMMANDE	CODE
MODEL MODÈLE		
4767	EMBED	
4767-DD*	EMBED (DUAL DIMMING) * INNER AND OUTER LIGHT SOURCES ARE DIMMED INDEPENDENTLY	
LIGHT SOURCE SOURCE LUMINEUSE		LED
LED	REGULAR OUTPUT	
COLOR TEMPERATURE TEMPÉRATURE DE COULEUR		
27*	2700K	
30	3000K	
35	3500K	
40	4000K	
	* LONGER LEAD TIME MAY APPLY, PLEASE CONTACT YOUR EUREKA REPRESENTATIVE	
COLOR RENDERING INDEX (CRI) INDICE DE RENDU DE COULEUR (IRC)		
80	80+ CRI	
90*	90+ CRI	
	* LONGER LEAD TIME MAY APPLY, PLEASE CONTACT YOUR EUREKA REPRESENTATIVE	
VOLTAGE VOLTAGE		
120V	120 VOLT	
277V	277 VOLT	
DIMMING OPTION OPTION DE GRADATION		
DV	0-10V DIMMING (120V-277V)	
DP	PHASE DIMMING (120V ONLY) LED DIMMING DRIVER IS STANDARD IN THIS PRODUCT, PLEASE SPECIFY YOUR DIMMING TYPE.	
BEAM ANGLE ANGLE DE FAISCEAU		40
40	40° LENS	
HEATSINK FINISH FINI RADIATEUR		BLKE
BLKE	BLACK FINE TEXTURE	
SHADE FINISH FINI ABAT-JOUR		
ANTE	ANTHRACITE FINE TEXTURE	
WHE	WHITE FINE TEXTURE	
DIFFUSER FINISH FINI DIFFUSEUR		WH
WH	WHITE	

PRODUCT CHARACTERISTICS CARACTÉRISTIQUES DU PRODUIT

BIM DIM IES LED

DESIGN: Embed is a tidy and minimalist package that offers two distinct light sources challenging the typical visual language associated with recessed spotlights. At its core is a powerful spot shielded by a transparent lens. Surrounding the core is a diffuser evenly lit by a secondary light source creating a soft semi-direct light surrounding the fixture.

INSTALLATION: Ceiling installation on deep junction box (supplied with light fixture).

LIGHT SOURCE: Powerful LED projector with a 20° or 40° projection angle, and a circular LED module that projects a soft and cozy indirect light, diffused between the shades. Offered with phase or 0-10V gradation options.

STRUCTURE: Custom aluminum heatsink with precisely designed configurations and dimensions. It supports the spun aluminum reflector and a vacuumed formed acrylic diffuser.

CERTIFIED: c-CSA-us, c-UL-us

CONCEPTION: Embed est un luminaire simple et élégant combinant deux sources lumineuses distinctes défiant ainsi le langage visuel normalement associé aux projecteurs encastrés. En son centre se trouve un puissant projecteur abrité par une lentille transparente. Autour du centre se trouve un diffuseur éclairé par une deuxième source lumineuse créant un doux éclairage semi-direct autour du luminaire.

INSTALLATION: Installation en plafonnier sur boîte de jonction profonde (fournie avec le luminaire).

SOURCE LUMINEUSE: Un puissant projecteur centre DEL offert avec un angle de projection de 20° ou 40°, ainsi qu'un module DEL circulaire projetant une agréable lumière indirecte, redirigé entre les deux abat-jours. Gradation de type phase ou 0-10V offerte.

STRUCTURE: Radiateur encastré conçu sur mesure avec une configuration et des dimensions précisément étudiées. Fait d'aluminium moulé, il supporte un réflecteur en aluminium tourné avec un diffuseur d'acrylique thermoformé.

CERTIFIÉ: c-CSA-us, c-UL-us

Photometric Report

1200-LED.18

CCT (K): 4000
 Delivered Lumens (lm): 1365
 System wattage (W)*: 19.5
 Distribution: Direct/diffused
 Delivered Efficacy (lm/W): 70.0
 Photometric type: C

Luminous dimensions

Luminous shape: Rectangle
 Units: in (mm)
 0-180 Axis: 11.8 (300)
 90-270 Axis: 11.8 (300)
 Height: 3.9 (100)

Luminaire spacing criteria

2 luminaires, plane 0: 0.60
 2 luminaires, plane 90: 0.61
 4 luminaires: 0.69

*System wattage include driver and LED module consumption

